

EvolutionMkII Rainwater Tank System with Davey® RainBank® inside

Dual source controller specifically designed to source rainwater for water applications such as toilets and/or laundry, with automatic mains water back-up. Also suitable for exterior taps.

APPLICATIONS

Davey RainBank is ideal for metropolitan rainwater harvesting for:

- Homes
- Toilet blocks
- Garden irrigation

WHY CHOOSE THE EvolutionMkII RAINWATER TANK SYSTEM?

- Patented, yet uncomplicated technology, providing a dependable solution to rainwater harvesting.
- RainBank automatically switches between rainwater and mains water supply, so you don't need to think about it.
- Fits neatly in the top of the tank for a space-saving, sleek design.
- Incorporates easily with new homes and buildings. All installation materials are included to save you time and money.
- Placement of the connection points saves time on installation.
- Environmentally friendly:
 - Saving water
 - Reducing flow to stormwater systems
 - No re-pumping of mains water
 - Low power consumption in standby
- No solenoid valves used. Provides seamless mains backup in the event of no rainwater or electrical interruptions.
- Built-in backflow protection valve (dual check valve) in compliance with the requirements of AS/NZS 3500-1-2003 for added safety and assured protection of your mains water supply.

DEPEND ON
DAVEY

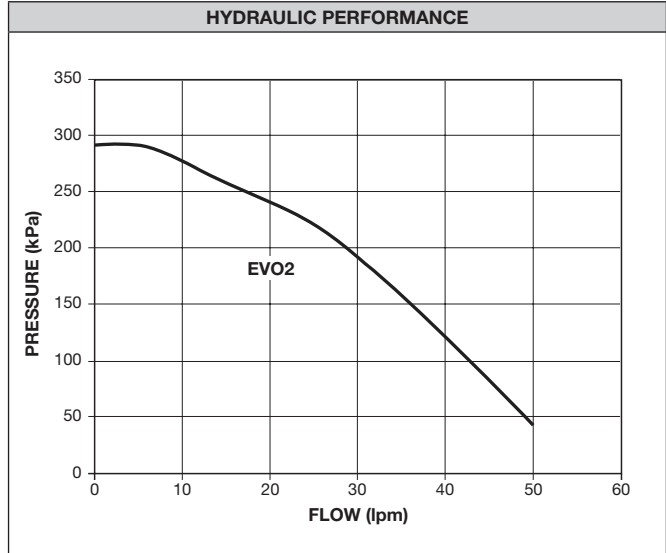
WATER PRODUCTS

davey.com.au

OPERATING LIMITS	
Maximum flow rate (mains)	100 lpm
Maximum flow rate (pump)	100 lpm
Maximum Mains water pressure	900 kPa
Maximum pump pressure	350 kPa
Maximum pump amps	10 A
Level switch voltage	12 Volts DC
Maximum water temperature continuous	50°C
Minimum water temperature	1°C
Maximum ambient temperature	50°C
Mains water inlet size	20mm nylon olive
Rainwater inlet size	25mm PVC
Outlet size	20mm nylon olive

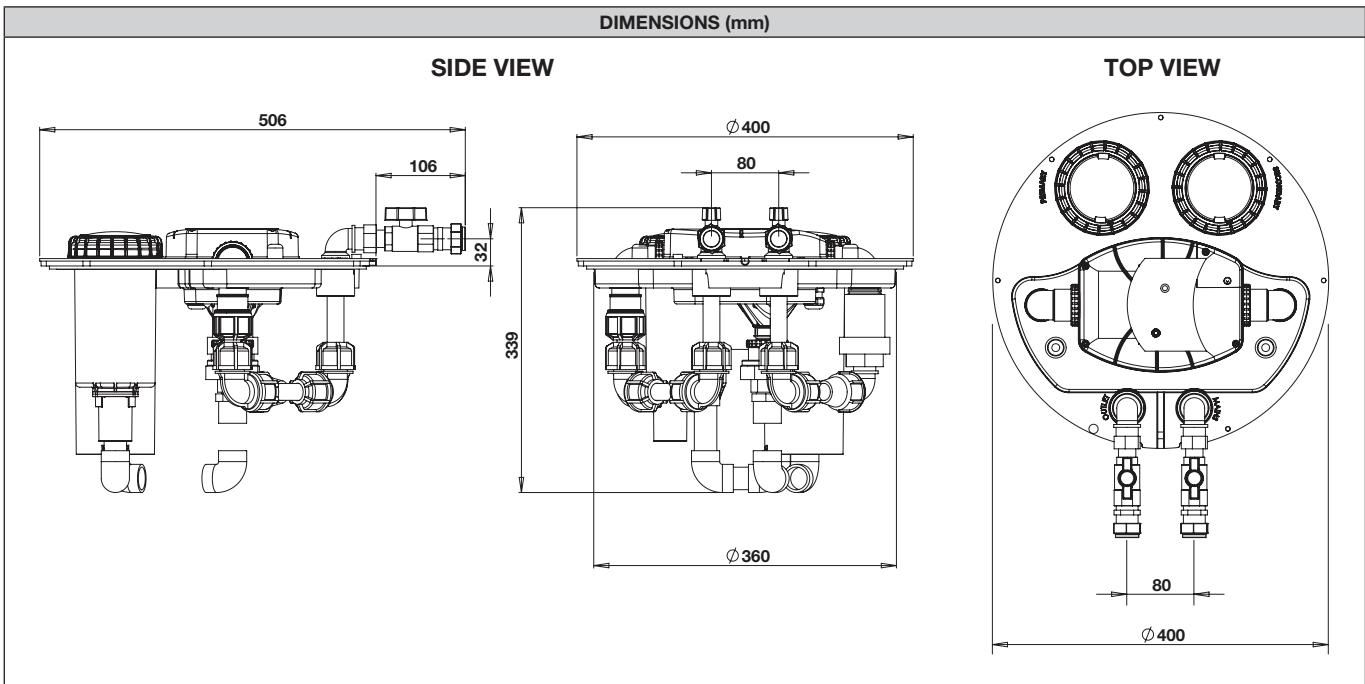
ELECTRICAL DATA	
Supply voltage	220-250V
Supply frequency	50Hz
Max. full load current	10A
Enclosure class	IP23
Power supply lead	incoming 3.5m
Pump Lead	10m

MATERIALS OF CONSTRUCTION	
Part	Material
Dual check valve	
Body	Nylon
Valves	Acetal
Springs	304 stainless steel
Source control valve	
Body	Nylon
Valves	Acetal
Plunger	Grivory
Diaphragm	Stantoprene
Springs	316 stainless steel
Seal	Nitrile
Filter Lid	Polycarbonate
Sensor plate	
	316 stainless steel
Enclosure	
	A.B.S.



IMPORTANT

Must be installed by a licensed plumber.



DEPEND ON DAVEY WATER PRODUCTS

AUSTRALIA
Head Office and Manufacturing
 6 Lakeview Drive,
 Scoresby, Australia 3179
 Ph: +61 3 9730 9222
 Fax: +61 3 9753 4100
 Website: davey.com.au

NEW ZEALAND
 7 Rockridge Avenue,
 Penrose, Auckland 1061
 Ph: +64 9 570 9135
 Fax: +64 9 527 7654
 E-mail: sales@daveynz.co.nz
 Website: daveynz.co.nz

REST OF WORLD
 6 Lakeview Drive,
 Scoresby, Australia 3179
 Ph: +61 3 9730 9121
 Fax: +61 3 9753 4248
 E-mail: export@davey.com.au
 Website: davey.com.au

Customer Service Centre
 Ph: 1300 369 100
 Fax: 1300 369 119
 E-mail: sales@davey.com.au

Customer Service Centre
 Ph: 0800 654 333

Quality ISO 9001

Environment ISO 14001

DWP0054/0212