



Creative rainwater storage solutions  
you can count on.

## Waterplex® Cistern Filter for “Whole of House” Filtration



The latest solution for whole of roof filtration in a central location is the new Cistern Filter.

The Cistern Filter can be located under floor and in a central location close to the eco sac installation and can provide whole of roof filtration for areas up to 200m<sup>2</sup>.

### **The Cistern Filter is an ideal solution for primary filtration because:**

- It is made from drinking quality grade materials (polyethylene and stainless steel)
- It can filter up to 200m<sup>2</sup> of roof area
- It can be located out of sight under in the sub-floor area
- It is a closed system so that water does not splash out of the unit as it is filtered
- Rubbish is removed to storm water by the residual water that runs over the top of the filter
- It acts not only as a filter but also as the overflow mechanism for the eco sac system once the water storage is full
- It has an automated backwash system that can be programmed to switch on automatically to backwash the filter making the system almost maintenance free
- It connects to standard 100mm PVC pipe

### **The Cistern Filter provides a two step cleaning system:**

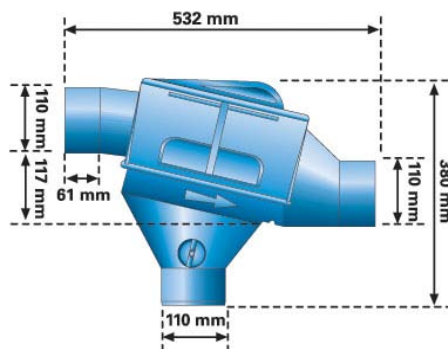
1. The first stainless mesh provides immediate coarse filtration to remove larger leaves and debris.
2. The second, finer mesh removes smaller debris and provides mosquito protection.



## The Cistern Filter Process

1. Harvested rainwater and debris enters the filter from the downpipe.
2. Coarse debris is captured by the first filter on top of the mesh and removed to storm water by any residual water passing over the first coarse mesh filter.
3. Finer debris is then captured on the lower mesh and also pushed to storm water by the residual water passing over the first coarse mesh filter.
4. Filtered water is then directed to the **Waterplex®** storage bladders
5. Residual water and debris is washed to storm water. This also acts as the overflow for the eco sac when the storage capacity is full. The overflow function also backwashes the filter each time the storage is full.

## Cistern Filter Dimensions



Note that clearance of 1000mm is required to allow the filter cartridge to be removed for cleaning.